

## ADDENDUM NO. 2

Issue Date: October 25, 2024

Project Name: Van Buren Public Schools  
Savage and Tyler Elementary Schools  
Secured Entry Renovations  
Belleville, Michigan

IDS Project No.: 20111-3008

This Addendum is issued prior to receipt of bids in order to modify or interpret the Bidding Documents by additions, deletions, clarifications or corrections. Bidders are to indicate receipt of this Addendum in the space provided on the Bid Form.

### **NEW OR REVISED DOCUMENTS ISSUED WITH THIS ADDENDUM**

Project Manual Documents: None

Drawings: 1.A9.2

Sketches: None

### **PROJECT MANUAL DOCUMENTS DELETED OR REVISED BUT NOT ISSUED**

None

### **DRAWINGS DELETED OR REVISED BUT NOT ISSUED**

None

ec:

## GENERAL NOTES

- DOOR SCHEDULE**
- REFER TO THE DRAWINGS FOR DOOR LOCATIONS
  - "DOOR NUMBER" CORRESPONDS TO THE DOOR NUMBER INDICATED ON THE DRAWINGS. NOTE: AT EXISTING WALL OPENINGS, FIELD VERIFY SIZE OF DOORS AND FRAMES.
  - (DOOR) "SIZE" INDICATES THE NOMINAL WIDTH AND HEIGHT OF THE DOOR IN FEET AND INCHES. ALL DOORS ARE 1 3/4" THICK UNLESS OTHERWISE NOTED.
  - "DOOR AND FRAME TYPE/MATERIAL/FINISH" INDICATES THE CODES FOR TYPE (INDICATED ON THE DRAWINGS), MATERIAL AND FINISH.
  - "CC" INDICATES THE COLOR CODE FOR FINISHES OF DOORS AND FRAMES. SEE "SCHEDULE - COLOR CODES".
  - "DETAILS HEAD-JAMB-SILL" INDICATES THE DETAIL NUMBER INDICATED ON THE DRAWINGS.
  - "HARDWARE SET" INDICATES HARDWARE SET NUMBERS SPECIFIED IN 08 7100 - DOOR HARDWARE.
  - "DOOR ASSEMBLY RATING" INDICATES THE MINIMUM FIRE RESISTANCE RATING FOR FIRE DOORS AND/OR SIDELITES.
  - "WALL RATING" INDICATES THE FIRE RESISTANCE RATING OF THE WALL CONTAINING THE DOOR.
  - "FRGM" INDICATES FIRE-RATED GLAZING MARKINGS.
  - "REMARKS" INDICATES ANY SPECIAL REQUIREMENTS FOR A DOOR AND FRAME - SEE "DOOR SCHEDULE - REMARKS".

## REMARKS

- DOOR SCHEDULE**
- ACCESS CONTROL SYSTEM
  - REMOVABLE MULLION
  - LOW ENERGY POWER OPERATED DOOR
  - POWER OPERATED DOOR PACKAGE DOOR ASSEMBLY (ALL HARDWARE BY DOOR MANUFACTURER)
  - HOLLOW METAL ASTRAGAL
  - DOOR FRAME TO REMAIN - ONLY REPLACE DOOR LEAF AND HARDWARE - PATCH, REPAIR, AND FILL HOLES ON DENTS ON THE EXISTING FRAME.
  - VERIFY DIMENSIONS IN FIELD
  - RE-CERTIFY FRAME FOR 20 MINUTE FIRE DOOR ASSEMBLY RATING.
  - 180 DEGREE SWING
  - DOOR TO RECEIVE NEW OR SALVAGED DOOR BARRICADE HARDWARE - BY OTHERS
  - BATTERY POWERED ELECTRONIC CLASSROOM HARDWARE
  - MAGNETIC HOLD-OPENS
  - DOOR AND FRAME - EXISTING TO REMAIN.
  - DOOR LOCATIONS FOR BOTH BUILDINGS SHOWN ON SHEET 1.A.0.1

## FIRE-RATED GLAZING ASSEMBLIES MARKING

- W/ MEETS WALL ASSEMBLY CRITERIA  
OW/ MEETS FIRE WINDOW ASSEMBLY CRITERIA INCLUDING THE HOSE STREAM TEST  
D/ MEETS FIRE DOOR ASSEMBLY CRITERIA  
H/ MEETS FIRE DOOR ASSEMBLY "HOSE STREAM" TEST  
T/ MEETS 450 DEG F TEMPERATURE RISE CRITERIA FOR 30 MINUTES  
NT/ DOES NOT MEET 450 DEG F TEMPERATURE RISE CRITERIA FOR 30 MINUTES  
XX/ TIME IN MINUTES OF THE FIRE RESISTANCE OR FIRE PROTECTION RATING OF THE GLAZING ASSEMBLY

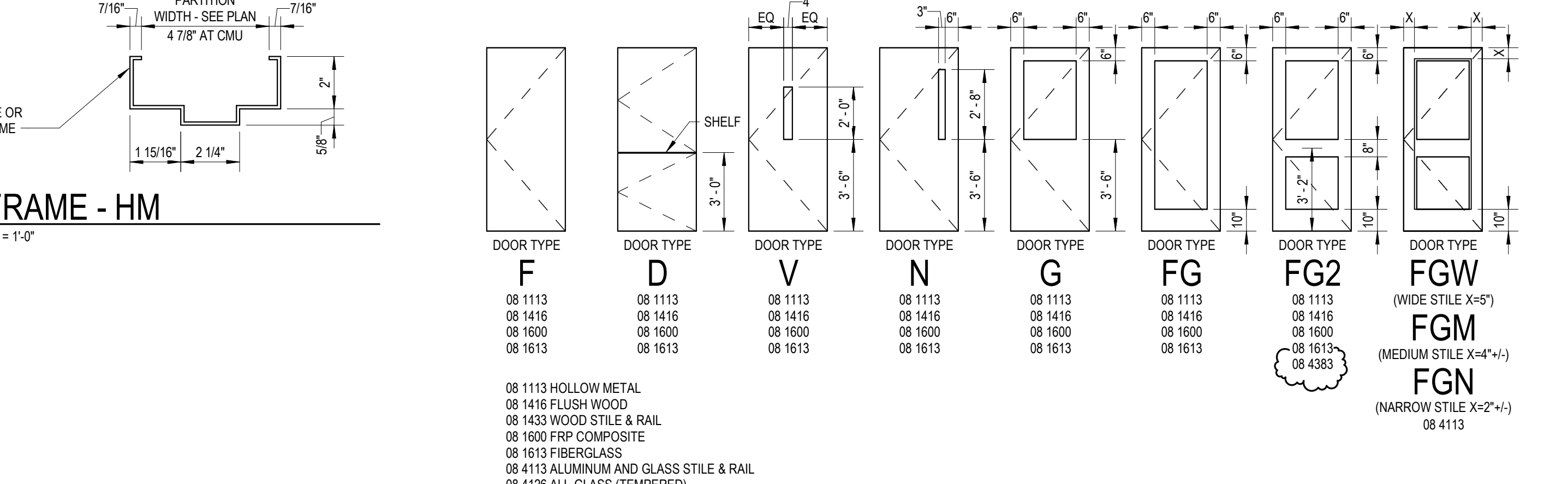
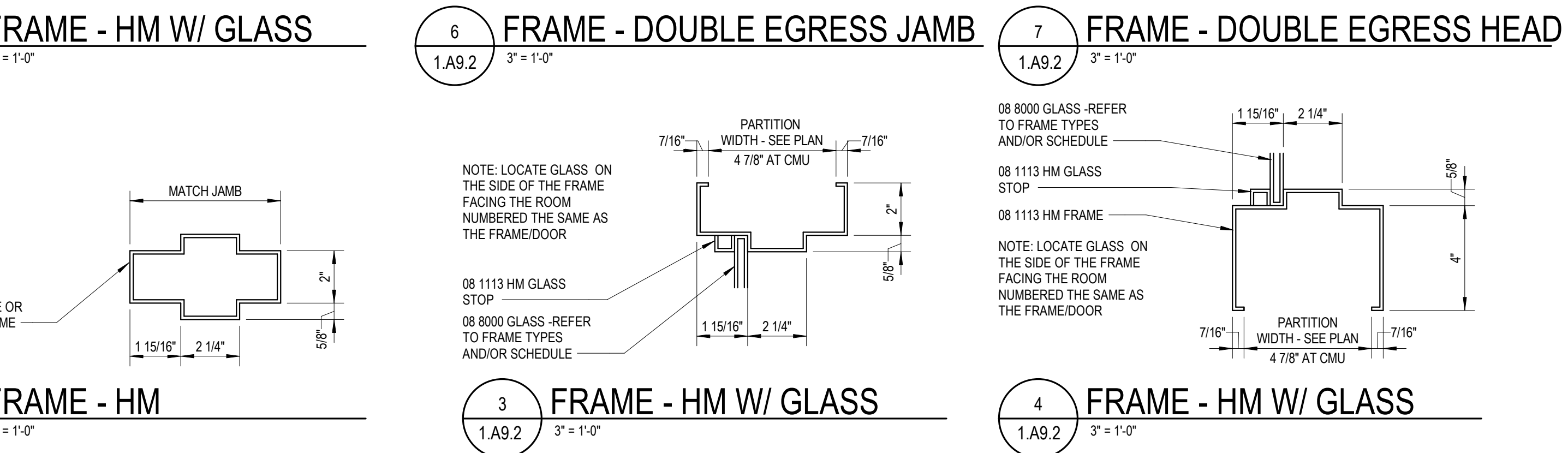
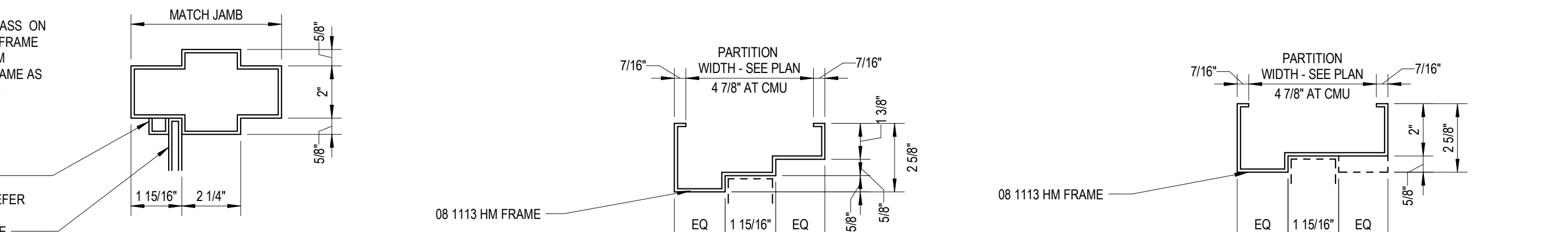
## ABBREVIATIONS

DOOR SCHEDULE	ALUMINUM	ALUMINUM ANODIZED
ALUM	ALUMINUM	ALUMINUM ANODIZED
ANOD	ANODIZED	COLOR CODES
CC	COLOR CODES	EXISTING
(E)	EXISTING	FIBERGLASS REINFORCED PANEL
FBR	FIBERGLASS REINFORCED PANEL	FACTORY
FRP	FACTORY	GLASS
FAC	GLASS	180 MINUTES (3 HOUR)
GL	GLASS	90 MINUTES (1 1/2 HOUR)
180	180 MINUTES (3 HOUR)	60 MINUTES (1 HOUR)
90	90 MINUTES (1 1/2 HOUR)	45 MINUTES (3/4 HOUR)
60	60 MINUTES (1 HOUR)	20 MINUTES (1/2 HOUR)
45	45 MINUTES (3/4 HOUR)	HOLLOW METAL
20	20 MINUTES (1/2 HOUR)	HDMW
HM	HOLLOW METAL	HDMW
HDMW	HDMW	MATL
MATL	MATERIAL	P LAM
P LAM	PLASTIC LAMINATE	PT
PT	PAIN	PVF
PVF	POLYVINYL FLUORIDE COATING (KYNAR)	STN
STN	STAIN	ST STL
ST STL	STAINLESS STEEL	STL
STL	STEEL	WD
WD	WOOD	WM
WM	WIRE MESH	

## GLAZING TYPE LEGEND

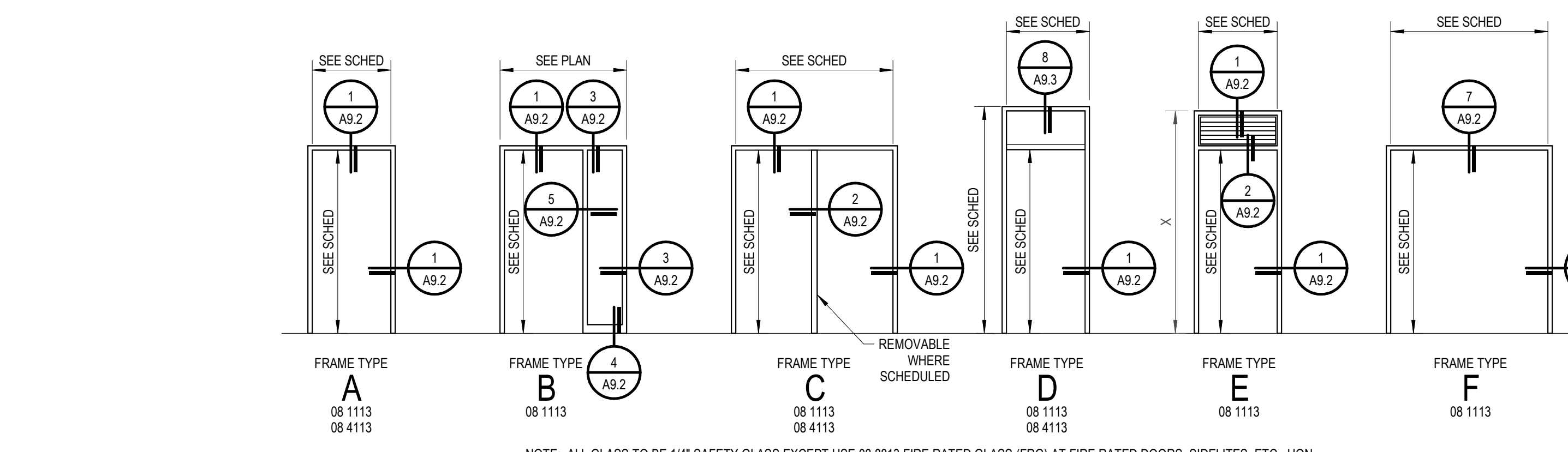
- GL-1A - LOW-E-COATED CLEAR, INSULATING GLASS
- GL-1B - LOW-E-COATED CLEAR, INSULATING SAFETY GLASS
- GL-02 - CLEAR, NON-INSULATED SAFETY GLASS
- FRG-01 - 20 MINUTE FIRE-PROTECTION-RATED GLAZING
- FRG-02 - FIRE-PROTECTION-RATED GLAZING (DOOR LITES)
- FRG-03 - 60 MINUTE FIRE-PROTECTION-RATED GLAZING
- FRG-04 - 60 MINUTE FIRE-RESISTANCE-RATED GLAZING

DOOR NUMBER	DOOR				FRAME				DETAILS				HARDWARE SET	DOOR ASSEMBLY RATING	WALL RATING	REMARKS				
	WIDTH	LEAF 1	LEAF 2	HEIGHT	TYPE	MATERIAL	FINISH / CC	FRGM	TYPE	MATERIAL	FINISH / CC	FRGM					HEAD	JAMB	SILL	
48	6'-0"	3'-0"	3'-0"	7'-0"	FG2	AL	FAC	-	(E)	AL	ANOD-BL	-	6/1A.5.2	(E)	3/1A.5.3	8/1A.9.2	1.5	-	-	12, 13, 14
61	6'-0"	3'-0"	3'-0"	7'-0"	FG2	AL	FAC	-	SEE ELEV.	AL	ANOD-BL	-	11/1A.5.2	5/1A.5.3	10/1A.5.2	2.5	-	-	-	1.3
62	3'-0"	3'-0"	7'-0"	FG2	AL	FAC	-	W/O-H-D-H-T-60, FRG-04	SEE ELEV.	AL	ANOD-BL	-	7/1A.5.2	SIM 6/1A.5.3	-	2.0	60	60	1.3	
62.1	3'-0"	3'-0"	7'-0"	FG2	AL	FAC	-	W/O-H-D-H-T-60, FRG-04	SEE ELEV.	AL	ANOD-BL	-	9/1A.5.2	11/1A.5.3	11/1A.9.2	3.0	60	60	1.3	
63	3'-0"	3'-0"	7'-0"	F	WD	WD-01	D-20	B	HM	PT-07	H	-	9/1A.9.2	9/1A.9.2	12/1A.9.2	4.0	20	60	1	
63.1	3'-0"	3'-0"	7'-0"	F	WD	WD-01	-	A	HM	PT-07	-	-	9/1A.9.2	9/1A.9.2	-	5.0	-	-	-	
64	3'-0"	3'-0"	7'-0"	F	WD	WD-01	-	B	HM	PT-07	-	-	9/1A.9.2	9/1A.9.2	-	6.0	-	-	-	
65	3'-0"	3'-0"	7'-0"	F	WD	WD-01	-	B	HM	PT-07	-	-	9/1A.9.2	9/1A.9.2	-	8.0	-	-	-	
65.1	3'-0"	3'-0"	7'-0"	F	WD	WD-01	-	A	HM	PT-07	-	-	9/1A.9.2	9/1A.9.2	-	6.0	-	-	-	
66	3'-0"	3'-0"	7'-0"	F	WD	WD-01	-	A	HM	PT-07	-	-	9/1A.9.2	9/1A.9.2	14/1A.9.2	6.0	-	-	-	
66.1	3'-0"	3'-0"	7'-0"	F	WD	WD-01	-	A	HM	PT-07	-	-	9/1A.9.2	9/1A.9.2	-	7.0	-	-	-	
67	3'-0"	3'-0"	7'-0"	F	WD	WD-01	-	A	HM	PT-07	-	-	9/1A.9.2	9/1A.9.2	14/1A.9.2	7.01	-	-	-	
68	3'-0"	3'-0"	7'-0"	F	WD	WD-01	-	A	HM	PT-07	-	-	9/1A.9.2	9/1A.9.2	13/1A.9.2	7.01	20	60		
69	3'-0"	3'-0"	7'-0"	N	WD	WD-01	D-20	A	HM	PT-07	-	-	9/1A.9.2	9/1A.9.2	12/1A.9.2	6.01	20	60		
102	6'-0"	3'-0"	3'-0"	7'-0"	(E)	(E)	(E)	(E)	(E)	(E)	(E)	(E)	(E)	(E)	(E)	10.0	-	-	-	12, 13, 14
C1	6'-0"	3'-0"	3'-0"	7'-0"	(E)	(E)	(E)	(E)	(E)	(E)	(E)	(E)	(E)	(E)	(E)	10.0	-	-	-	12, 13, 14
C3	6'-0"	3'-0"	3'-0"	7'-0"	(E)	(E)	(E)	(E)	(E)	(E)	(E)	(E)	(E)	(E)	(E)	10.0	-	-	-	12, 13, 14

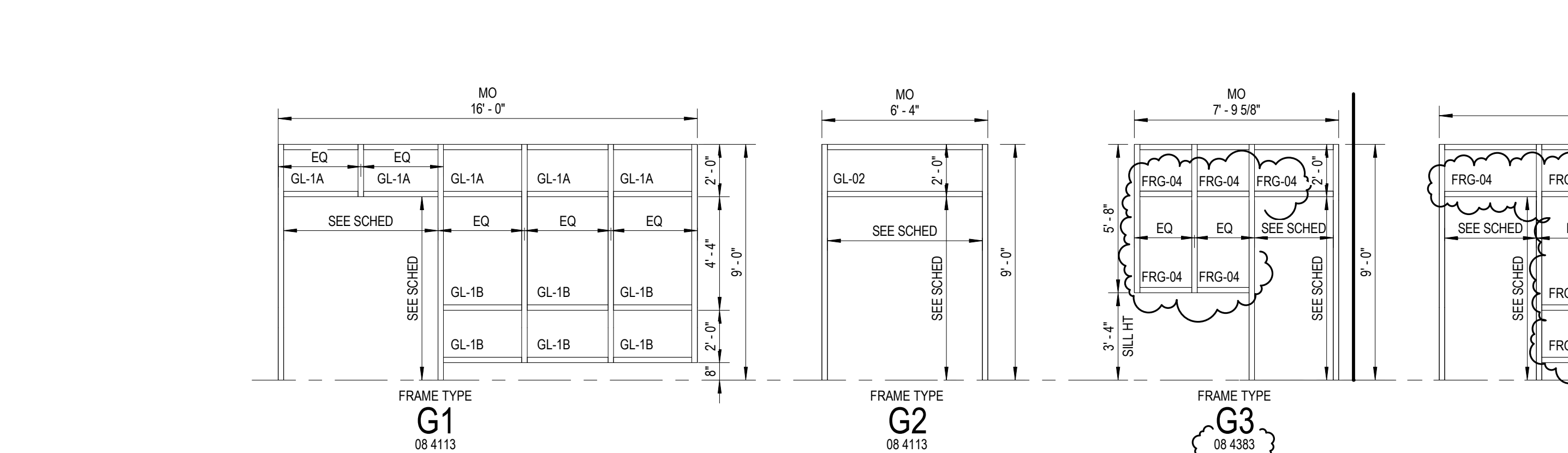


## DOOR TYPES

1/4" = 1'-0"  
NOTE: ALL GLASS TO BE 1/4" SAFETY GLASS EXCEPT USE FIRE RATED GLASS (FRG) AT FIRE RATED DOORS, SIDELITES, ETC., UON



NOTE: ALL GLASS TO BE 1/4" SAFETY GLASS EXCEPT USE 08 8813 FIRE RATED GLASS (FRG) AT FIRE RATED DOORS, SIDELITES, ETC., UON

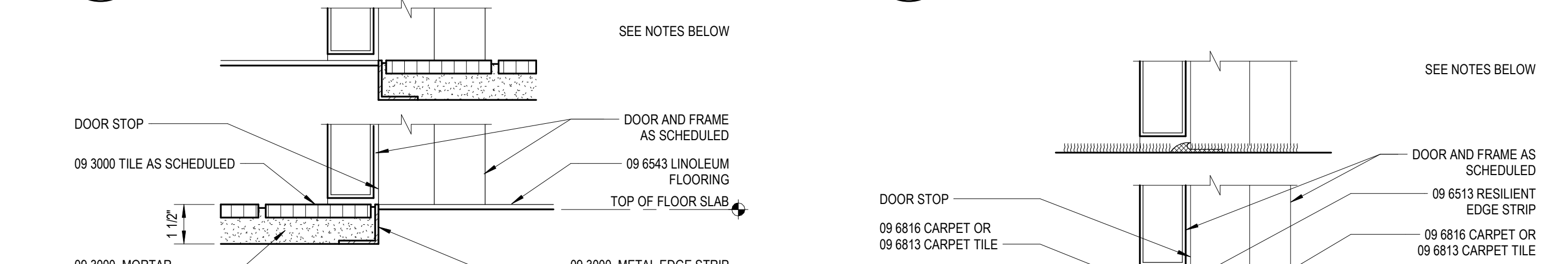


## FRAME TYPES

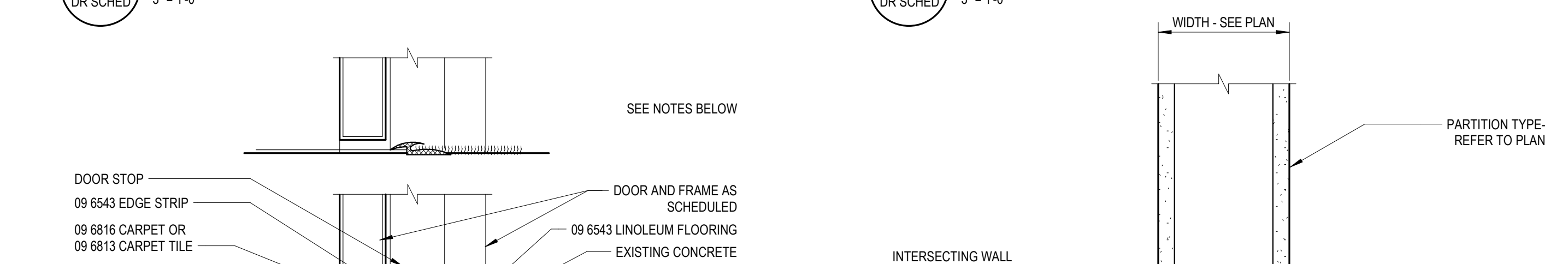
1/4" = 1'-0"



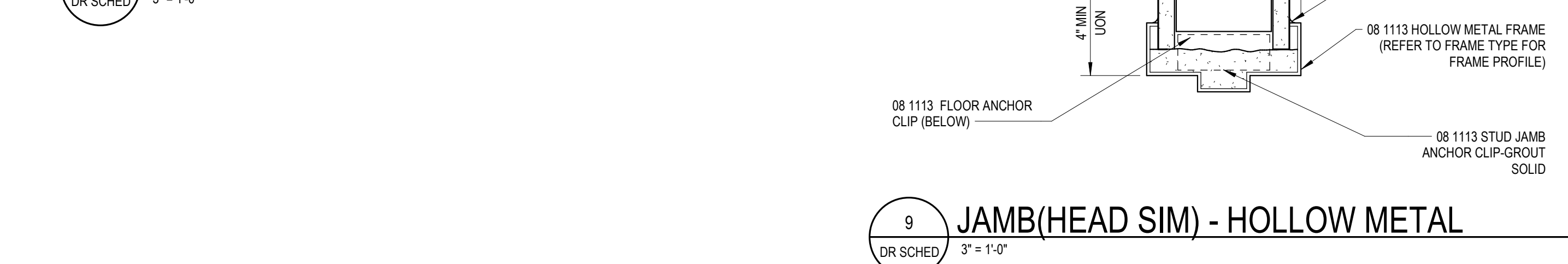
14 SILL 3" = 1'-0"



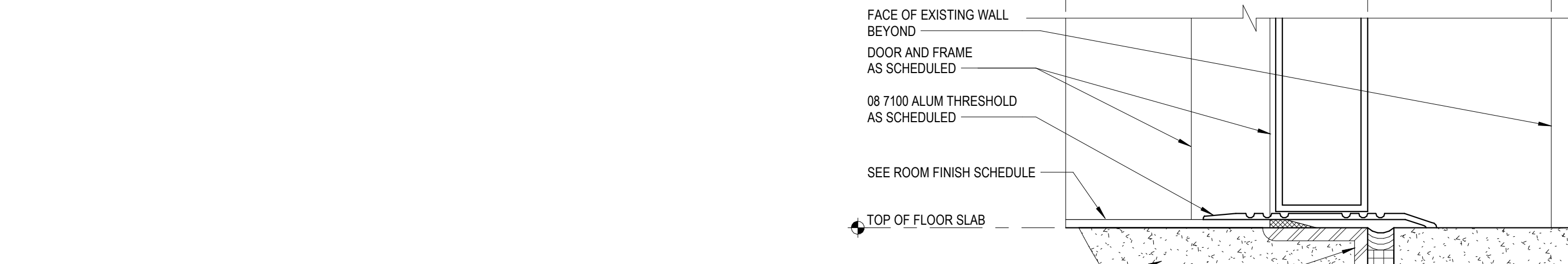
13 SILL 3" = 1'-0"



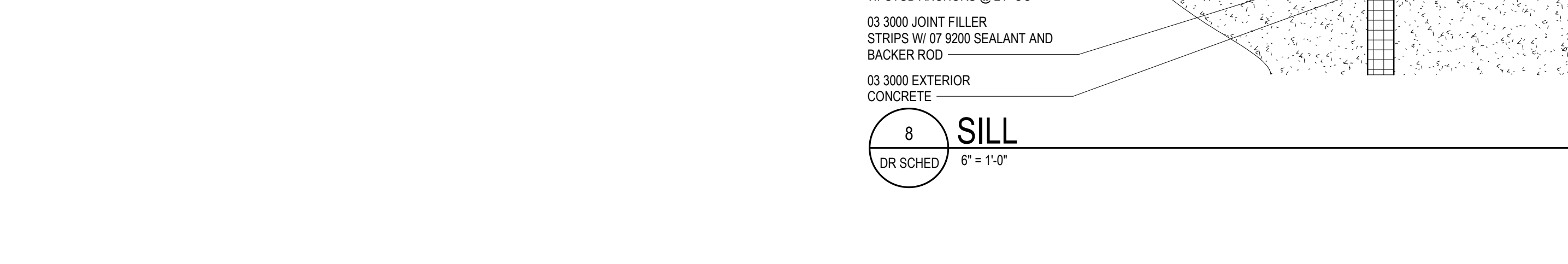
12 SILL 3" = 1'-0"



9 JAMB (HEAD SIM) - HOLLOW METAL 3" = 1'-0"



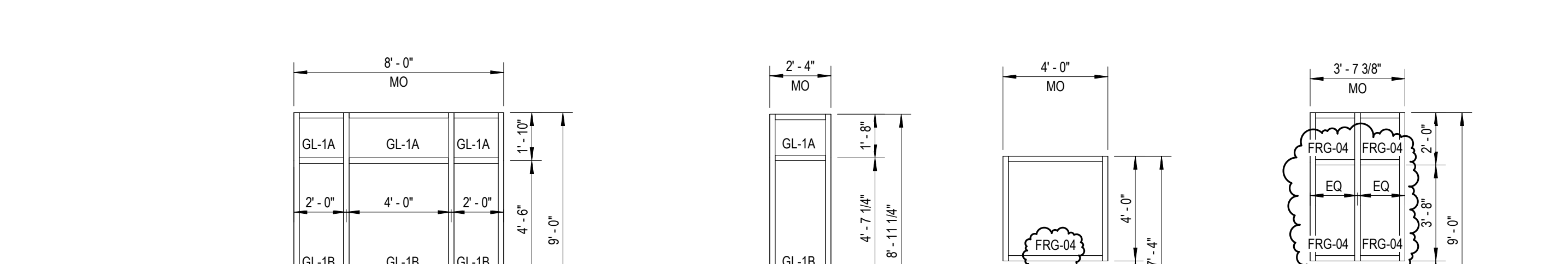
2 FRAME - HM 3" = 1'-0"



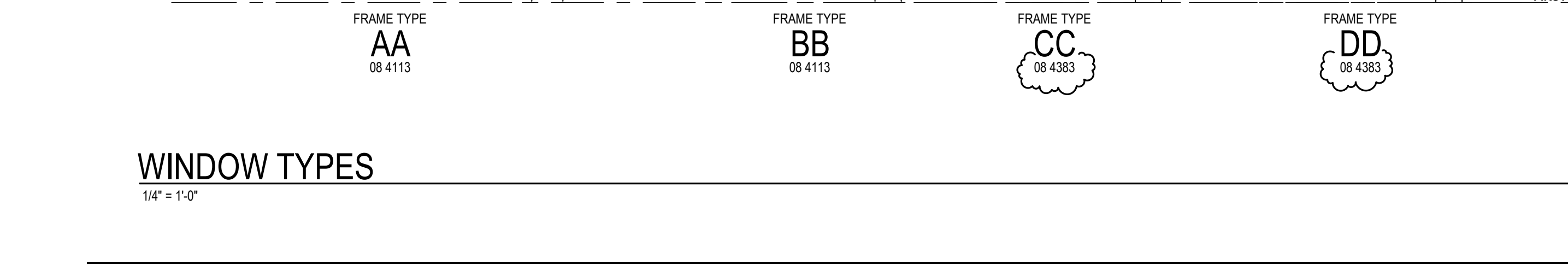
1 FRAME - HM 3" = 1'-0"



8 SILL 6" = 1'-0"



11 SILL 3" = 1'-0"



## WINDOW TYPES

1/4" = 1'-0"